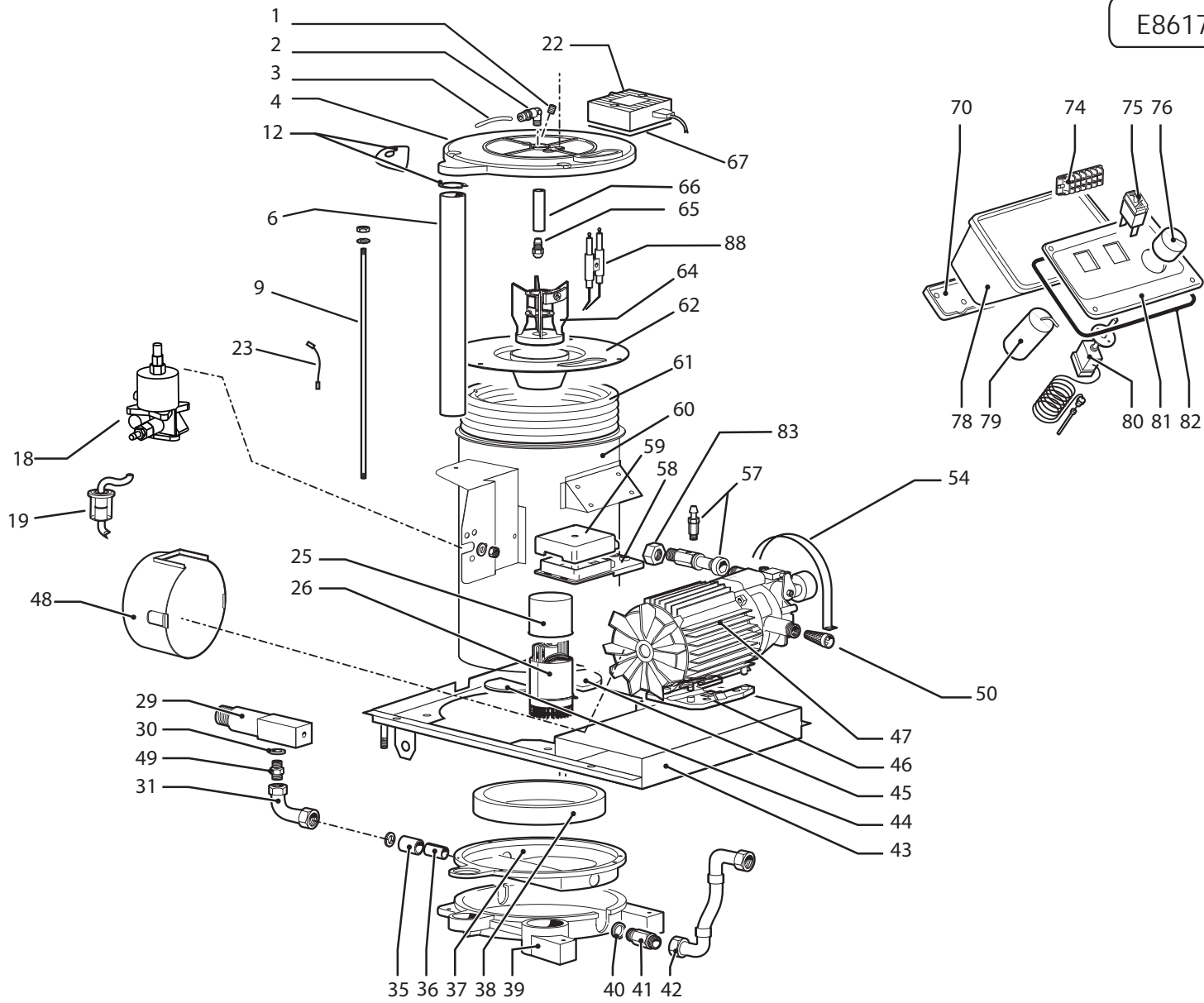


E8617X003/07



Pos.	Code	Substituted by	Q.ty	Purchasable	Min. Q.ty	For mainten.	Description
001	3.002.0188		1	Yes	12		SCREW M5X10
002	3.100.0075		1	Yes	2		CONIC CONNECTION M 1/8 F D.4 CURVED FOR GASOIL HOSE VITON O-
003	4.608.0145		1	Yes	12		RILSAN GASOIL HOSE X PARANA' L=500
004	4.005.0194		1	Yes	1		CAP FOR BOILER FKX
006	4.607.0236		1	Yes	2		HOSE D40 L=410
009	4.607.0238		3	Yes	3		ROD FOR BOILER
012	5.009.0637		1	Yes	6		BOILER CAP KIT
018	3.551.0048		1	Yes	1		DIESEL PUMP VSC 36 230V 50/60hz 19VA
019	5.611.0043		1	Yes	2	EXT	GAS OIL FILTER UNIT JOLLY 4/93
022	5.009.0686		1	Yes	1	EXT	IGNITION TRANSFORMER WITH CABLES
023	4.012.0102		2	Yes	4		CABLE L=600 SEC.0,75 IEC227-3/1979
025	4.008.0470		1	Yes	12		FAN MOTOR COVER
026	3.304.0005		1	Yes	1		BURNER MOTOR 230/50 C/W FAN, FLANGE, CABLES AND COVER
029	4.606.0191		1	Yes	1		OUTLET JOINT
030	3.004.0036		2	Yes	12		COPPER WASHER 3/8 17X22 SP.1.5
031	3.100.0094		1	Yes	1		ANGLE CONNECTOR 3/8 -3/8
035	4.007.0184		1	Yes	12		COUPLING PIPE FOR PARANA'
036	4.008.0449		1	Yes	12		THERMORESISTANT COUPLING BOW 17X23XL40
037	4.007.0158		1	Yes	1		BOILER PAD
038	4.008.0503		1	Yes	2		BAND IN CERAMIC FIBER
039	4.605.0042		1	Yes	1		BASE FOR PARANA' BOILER
040	4.007.0200		1	Yes	12		WASHER20.2X26X3
041	4.607.0237		1	Yes	3		RUBBER HOSE COUPLING FOR COIL
042	4.618.0067		1	Yes	1	EXT	HOSE 5/16 R1 15DEG. 250 BAR 3/8 F ROT.-3/8 F ROT.
043	5.613.0154		1	Yes	1		MOTOPUMP-BOILER SUPPORT FOR PARANA'
044	4.008.0450		1	Yes	2		THERMORESISTANT PAD
045	4.008.0658		1	Yes	4		THERMORESISTANT FELT BOTTOM PLATE X FKX/PARANA'
046	4.008.0514		1	Yes	6		BLACK EAGLE FOOT FOR MOTOR- PUMP SUPPORT
047	5.001.0625		1	Yes	1	EXT	MOTORPUMP
048	4.008.0922		1	Yes	5		COVER FOR MOTOR FAN (MOTOR'96)
049	3.100.0023		1	Yes	6		NIPPLE 3/8 CIL.SV. 3/8 CIL.SV

BOILER - Content filters: validity 03/04/2019



R8625X001-2 - BOILER

Validity: from 06/12/2012 to 01/01/3000

03/04/2019

Page 2 / 3

Pos.	Code	Substituted by	Q.ty	Purchasable	Min. Q.ty	For mainten.	Description
050	4.008.0031		1	Yes	12	ORD	INLET WATER FILTER H2O D.16 CONICAL
054	4.007.0287		1	Yes	3		FIXING CLAMP
057	5.609.0260		1	Yes	1		MAX PRESSURE VALVE 250BAR 1/8
058	4.608.0141		1	Yes	12		ELECTRICAL BOX BASE FOR MOTOPUMP
059	4.608.0140		1	Yes	4		ELECTRICAL BOX COVER FOR MOTOPUMP
060	5.613.0188		1	Yes	1		BOILER BODY
061	4.604.0031		1	Yes	1		COIL D.202 (1.5 GIRI) FOR PARANA'
062	5.013.0027		1	Yes	1		DISK HEAD HOLDER
064	3.099.0297	6.005.0308	1	Yes	1		COMPLETE DEFLECTOR
065	3.104.0022		1	Yes	1	EXT	GAS OIL NOZZLE 0.65 60°HR
066	4.006.0187		1	Yes	4		NOZZLE HOLDER PIN
067	4.008.0848		1	Yes	12		GASKET NEW TRANSFORMER FKX
070	4.608.0071		1	Yes	3		GUIDING CABLE COVER DASHBOARD '93
074	3.405.0011		1	Yes	2		TERMINAL BOARD PA 32/6
075	3.401.0179		2	No		EXT	SWITCH 0/1 IP55 BLACK BUTTONSKND2-14/2 14(14)/250-5E4
076	4.608.0019		1	Yes	2		BLACK THERMOSTATE KNOB 3079/1
078	4.608.0065		1	Yes	1		BOX DASHBOARD '93
079	3.404.0016		1	Yes	2		CAPACITOR 45mF 450V D.45X90 WITHOUT CABLE FASTON M
080	3.403.0032		1	Yes	1	EXT	THERMOSTAT 30/90 FOR PARANA'
081	4.608.0120		1	Yes	3		ELECTRICAL BOX COVER
082	4.608.0078		1	Yes	6		GASKET
083	4.006.0283		1	Yes	6		FERRULE M22x1,5 L=16.
088	4.614.0003		1	Yes	1	EXT	ELECTRODE D.2 FKX PARANA'

BOILER - Content filters: validity 03/04/2019