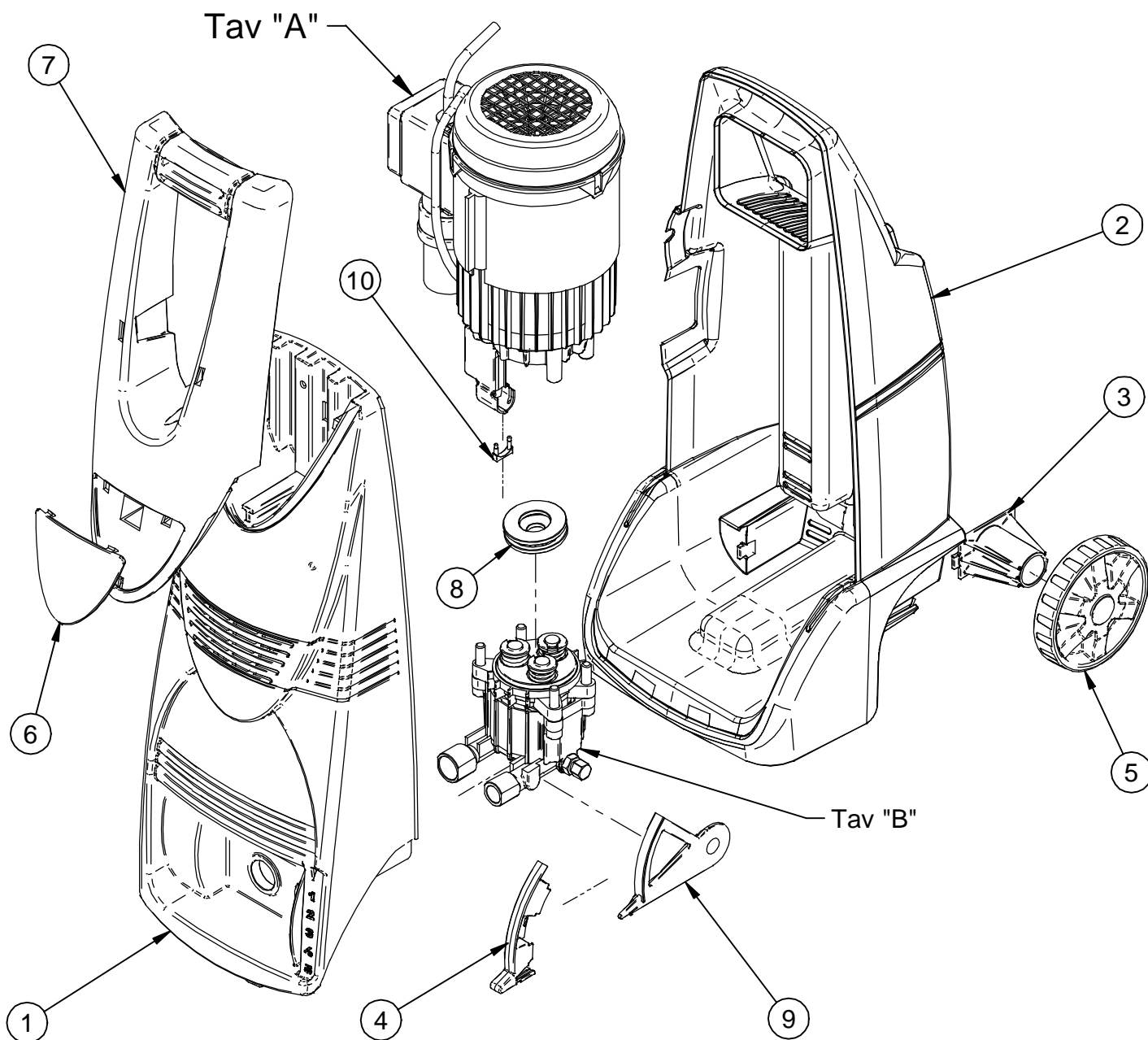
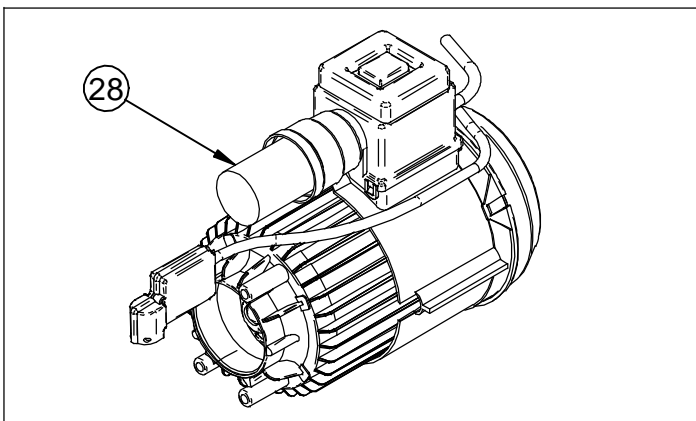


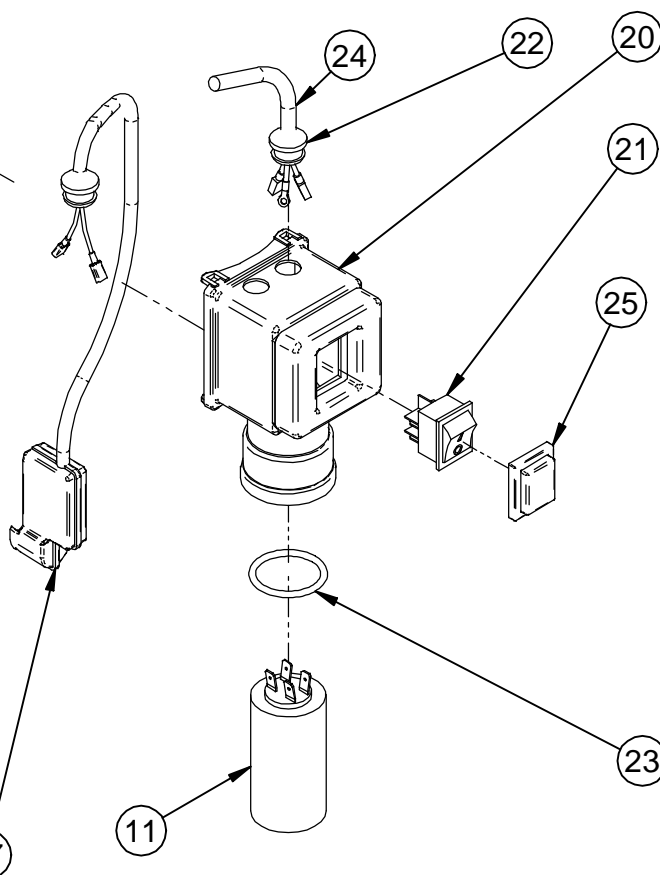
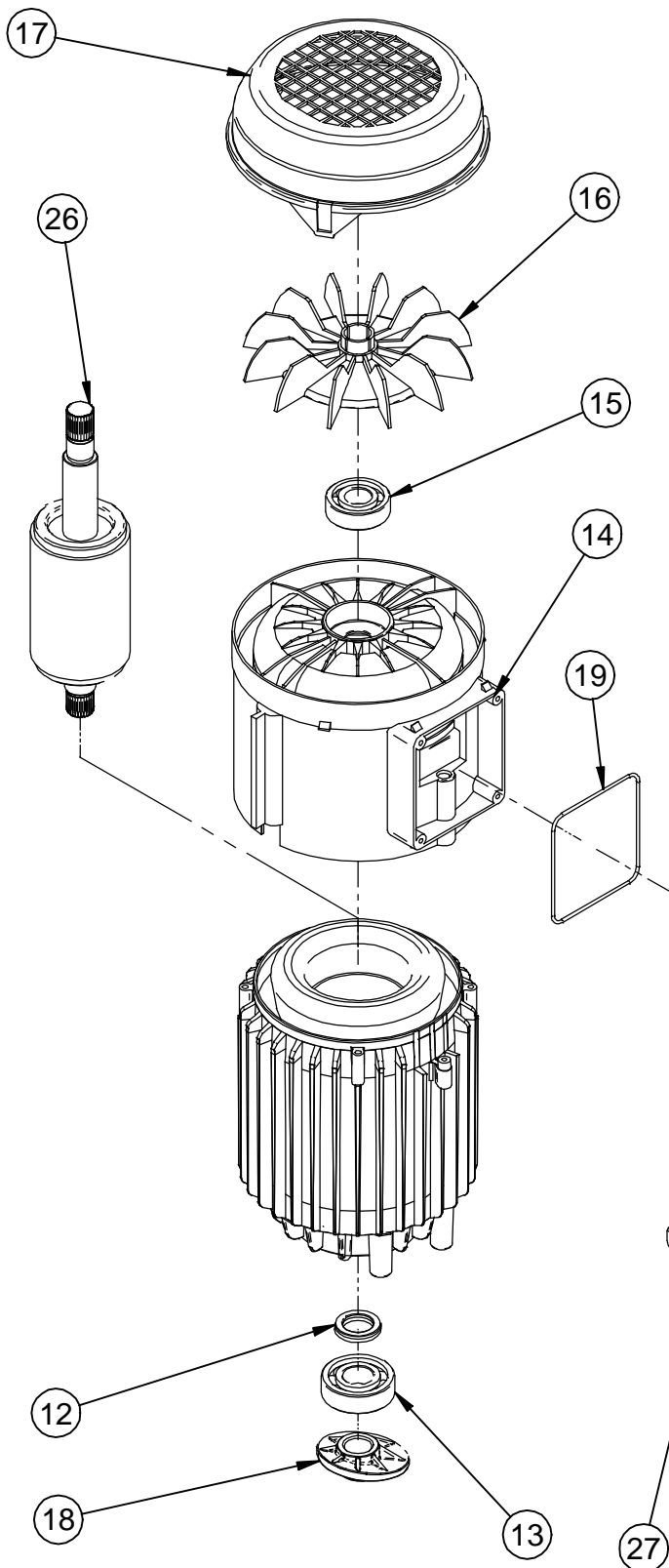
Pos. No.	Codice No.	Description
1	3310170	UPPER COVER TR2 YELLOW
2	3310084	LOWER COVER WK2 BLACK
3	3310091	WHEELS BEARING
4	3310185	INDICATING KNOB FOR TR2
5	3310207	BLACK WHEEL
6	3310183	PLASTIC SHIELD FOR TR2
7	3310182	HANDLE FOR TR2
8	2240014	BALL CAGE WITH THRUST BEARING
9	3310090	PRESSURE REGULATION LEVER
10	2410076	PLASTIC PLUG TO CLOSE ELECTRICAL BOX TSS



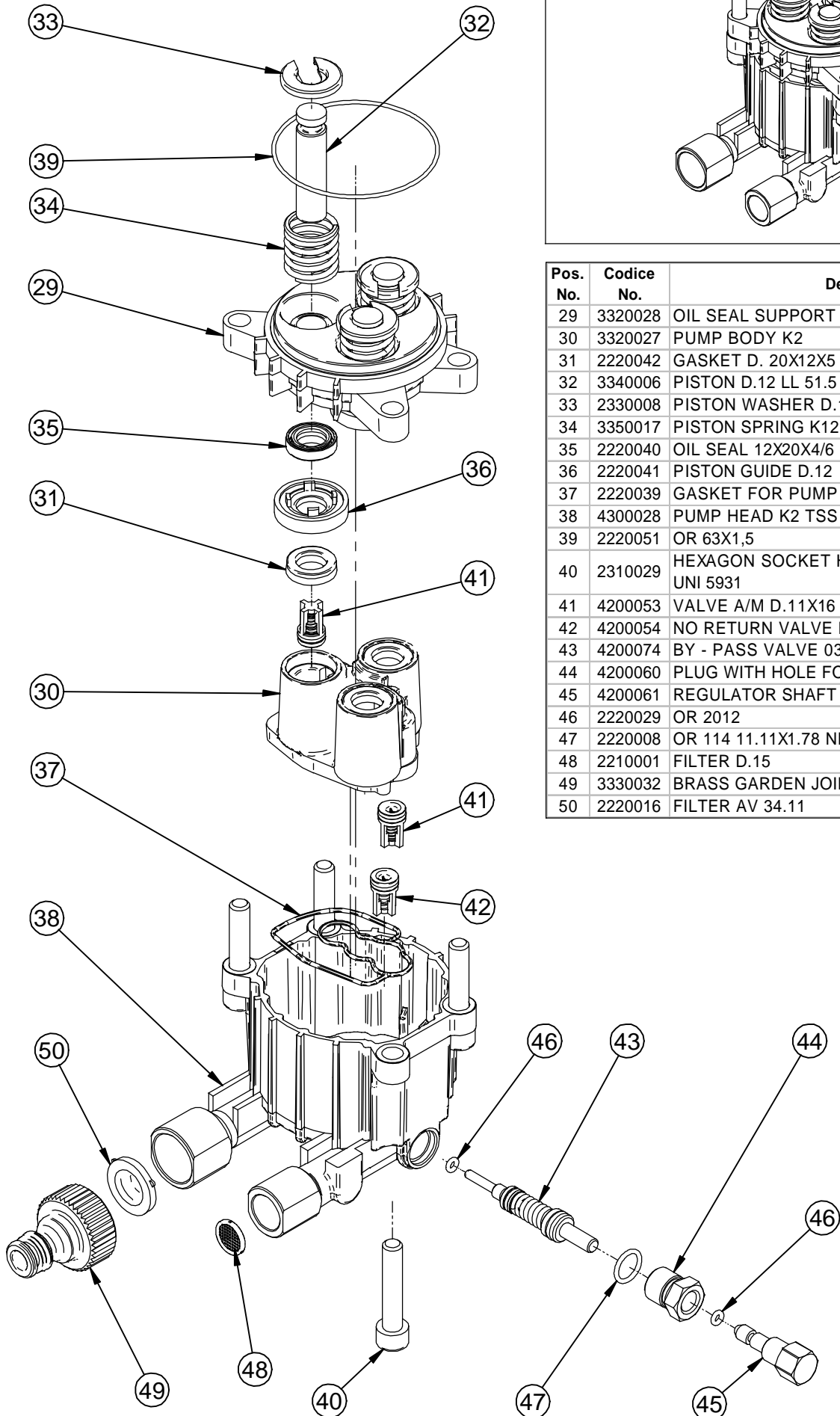
Tav. "A"



Pos. No.	Codice No.	Description
11	2410014	CAPACITOR 20MF 450V
12	2220013	OIL SEAL I 17 x 25 x 4
13	2240016	BALL BEARING 6203 ZZ
14	3310054	MOTOR PLASTIC SHIELD
15	2240006	BALL BEARING 6202 ZZ
16	2210015	FAN MEC 71
17	3310055	FAN COVER FOR PLASTIC SHIELD
18	3320035	INCLINED ALUMINIUM PLATE
19	2220045	O-RING 2312 79 X 1.78 NBR70
20	2410072	ELECTRIC BOX WK2 CE TSS
21	2410035	ON/OFF SWITCH
22	2410068	COLLIED D.15 X D. 5.5
23	2220043	O-RING 4137 34.52 X 3.53 NBR70
24	2440024	CABLE H05 VV-F 3G0,75 CM 530 SHUKO PLUG
25	2410016	BLACK PROTECTION CAP POS.3
26	2430053	ROTOR WITH SHAFT 55H80
27	4200065	MICROSWITCH BOX WITH CABLE AND CABLE BY-PASS
28	1100098	MOTOR 110H80 WK2 TSS 230/50



Tav. "B"



Pos. No.	Codice No.	Description
29	3320028	OIL SEAL SUPPORT K2
30	3320027	PUMP BODY K2
31	2220042	GASKET D. 20X12X5 GA
32	3340006	PISTON D.12 LL 51.5
33	2330008	PISTON WASHER D.12
34	3350017	PISTON SPRING K12
35	2220040	OIL SEAL 12X20X4/6 KCY
36	2220041	PISTON GUIDE D.12
37	2220039	GASKET FOR PUMP HEAD K2
38	4300028	PUMP HEAD K2 TSS 120
39	2220051	OR 63X1,5
40	2310029	HEXAGON SOCKET HEAD SCREW M8X40 ZIN. UNI 5931
41	4200053	VALVE A/M D.11X16 K
42	4200054	NO RETURN VALVE K
43	4200074	BY - PASS VALVE 03 TS K 120 BAR
44	4200060	PLUG WITH HOLE FOR REGULATOR SHAFT
45	4200061	REGULATOR SHAFT
46	2220029	OR 2012
47	2220008	OR 114 11.11X1.78 NBR 85 SH
48	2210001	FILTER D.15
49	3330032	BRASS GARDEN JOINT 3/4"
50	2220016	FILTER AV 34.11

Pos. No.	Codice No.	Description
51	8100001	FIXED BRUSH
52	2210004	DETERGENT TANK
53	3350006	NOZZLE CLEANING PIN
54	1410030	GUN WITH HOSE
55	1410050	EXTENSION 02
56	1410056	VORTEX LANCE 02
57	1410051	LANCE 02
58	1410009	DETERGENT SPRAY ATTACH.

